

IM490

IMAX SEARCHLIGHTS



IM 490 C



The design of IMAX Searchlights is based on many years of experience and extensive research in the field of professional Marine lighting.

Carefully selected materials are used to ensure maximum performance, low maintenance and a long troublefree life.

The perfect combination of mirror/reflector and lightsource is determined through advanced computer models.

Instead of aluminium reflectors, often used in conventional searchlights, IMAX uses brilliant mirror/reflectors, heat resistant, made of superclear glass to achieve the maximum reflectivity of 92%!! A clever ringfilter prevents glare and straylight.

Every part of the IMAX Searchlight is of course protected against the environmental circumstances at sea. IMAX mirror/reflectors maintain their superior brilliance during many years.

Mounting the IMAX Searchlight is easy. The length of the control-mechanism can be cut-to-size during installation, saving time and money.

IMAX LIGHTENS YOUR WORK.

IMAX Searchlights:

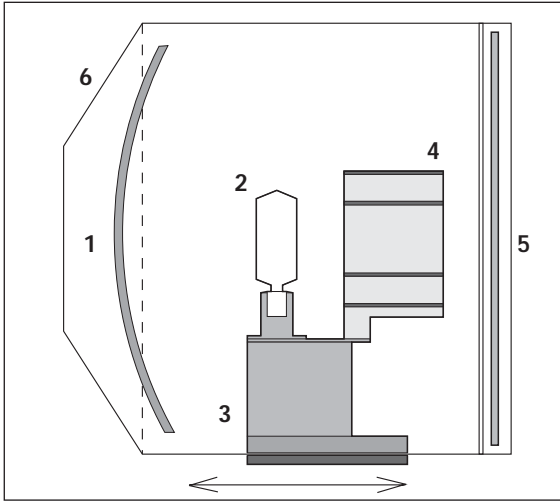
- *STAINLESS STEEL CONSTRUCTION*
- *SUPERB OPTICS*
- *POWERFUL LONGRANGE BEAM*
- *TIME SAVING MOUNTING*
- *LOW MAINTENANCE*
- *DURABILITY*



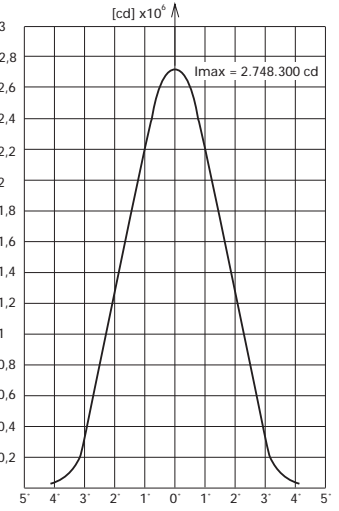
CROSS SECTION

IM490

IMAX SEARCHLIGHTS

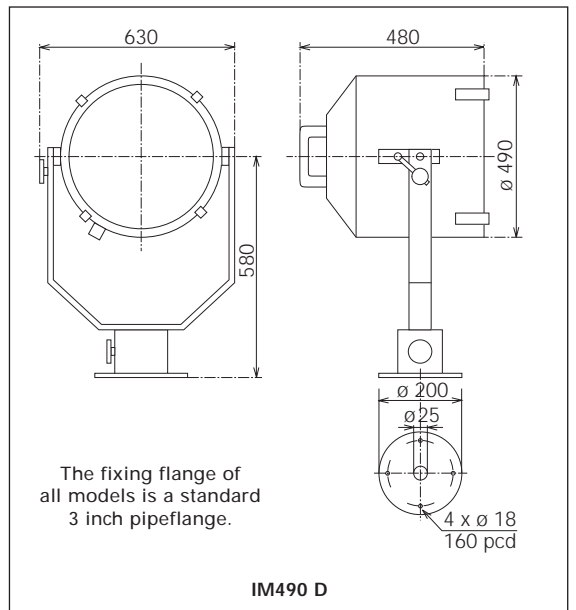
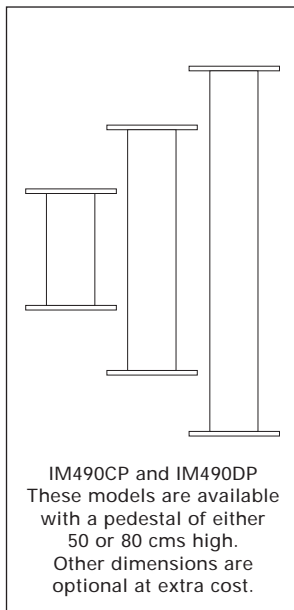
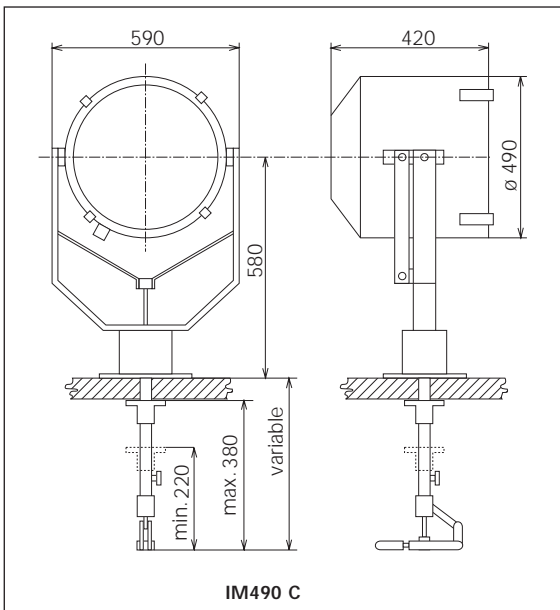


- 1 Large diameter parabolic reflector, tuned to its associated lightsource. Mirror is heat resistant.
 - 2 Lightsource selected on maximum luminous flux.
 - 3 Adjustable focus.
 - 4 Ringfilter preventing glare and straylight.
 - 5 Toughened frontglass.
 - 6 Stainless steel housing and components.
- Floating stop to protect the supply-cable is incorporated.



DIMENSIONS

all dimensions in mm.

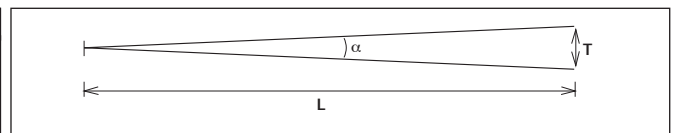


IM490C = Cabin Control - low base • IM490CP = Cabin Control - high pedestal • IM490D = Direct Control - low base • IM490DP = Direct Control - high pedestal

SPECIFICATIONS

Model	Voltage	Watts	PBCP (measured) Lum x 1000	Range in meters (L)	Divergence (α)	Illuminated Area at target/1 lux (T)
IM490	220	2.000	2.748	1.650	8°	Ø230 m

Model	Weight
IM490 C	29 kgs
IM490 D	26 kg
<i>Weight of P-versions depend on height of the pedestal.</i>	



your supplier:



www.imaxtrading.net