

IP 67

230V
50Hz

230V
60Hz

E 27



Type		Light source	Light source power	Lampholder type	Weight
230V / 50Hz	230V / 60Hz				
STP 76 - 1070	STP 76 - 1071	sodium lamp	70 W	E 27	6,9 kg

Application
decks, holds, industrial areas, etc.

Approvals
according to the rules of relevant classification societies, additional IEC

Housing
stainless steel seamless deep drawn, powder coated white

Diffuser
safety glass

Reflector
aluminium anodized

Lamps (not included)
high pressure sodium (HPS) lamp,

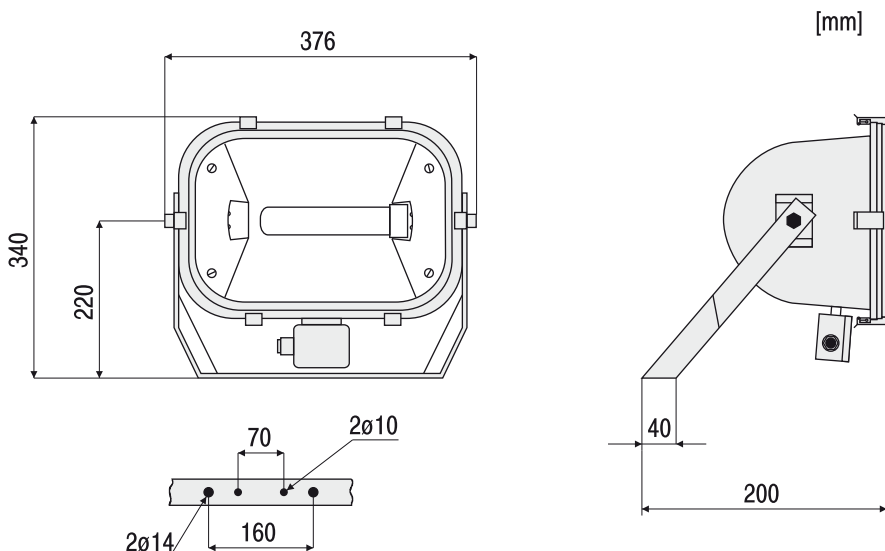
Electric
230V, flexible wiring, high temperature resistant

Cable entry
junction box, 1 cable glands brass, M 24x1.5, with earthing insert

Mounting
adjustable bracket, stainless steel, 4 mounting holes, $\varnothing 10$ mm and $\varnothing 14$ mm

Electrical connection
see finish section

1.01



OPTIONS

SC-Glands for screen cable 