

IP 67

E 40

Type	Light source	Light source power	Lampholder type	Weight
STP 76 - 1400	sodium or metal-halide lamp	1 x 250 W or 1 x 400 W	E 40	7,7 kg

Application
decks, holds, industrial areas, etc.

Approvals
according to the rules of relevant classification societies, additional IEC

Housing
stainless steel seamless deep drawn, powder coated white

Diffuser
safety glass

Reflector
aluminium anodized

Lamps (not included)
high pressure (HPS) sodium lamp, metal halide (MH) lamp 250W/400W

Electric
230V, flexible wiring, high temperature resistant

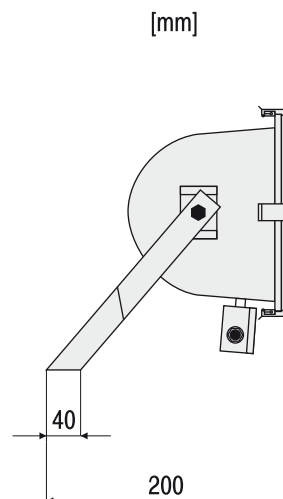
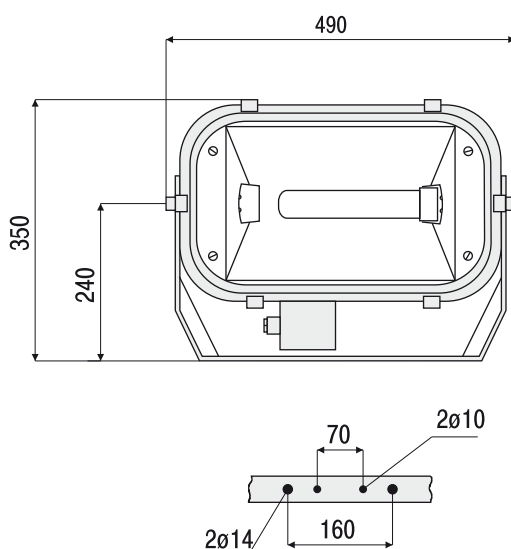
Cable entry
junction box, 1 cable glands brass, M 24x1.5, with earthing insert

Mounting
adjustable bracket, stainless steel, 4 mounting holes, $\varnothing 10$ mm and $\varnothing 14$ mm

Electrical connection
see finish section

Remark
ballast unit VGP 76 - has to be ordered separately

1.03



OPTIONS

Narrow Beam Reflektor

SC-Glands for screen cable